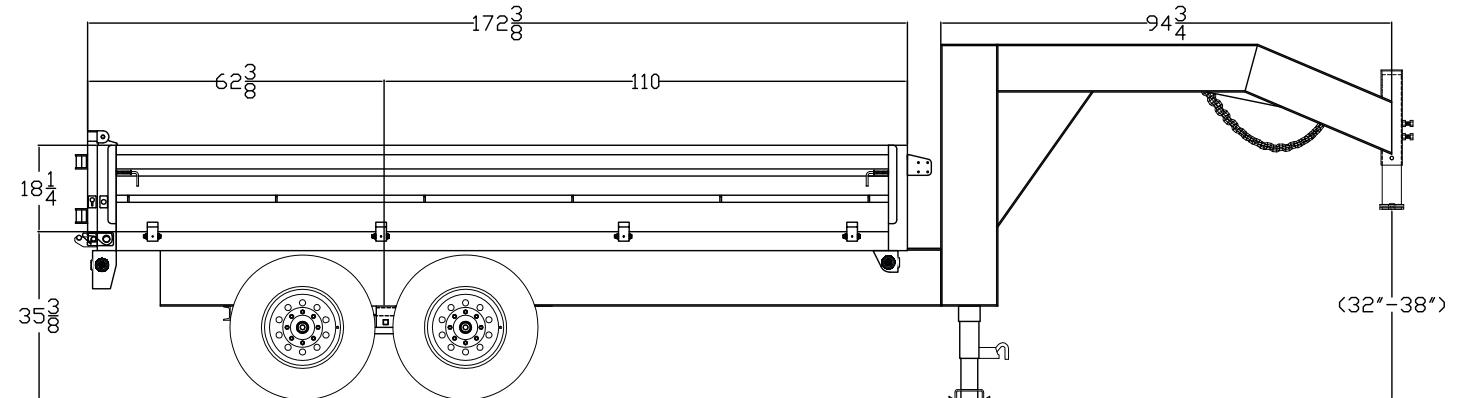


# 140D Tandem Over The Axle Dump

<b>G.V.W.R.</b>	14,000#	<b>AXLES</b>	Two 7,000# EZ Lube w/Elec. Brake
<b>G.A.W.R. (Ea. Axle)</b>	7,000#	<b>SUSPENSION</b>	Multi-Leaf Slipper Spring w/Equalizer
<b>COUPLER</b>	2-5/16" Adjustable Forged - OD 2-5/16" Adjustable Pipe - OD GN	<b>TIRE</b>	ST235/80 D-16 Load Range E
<b>SAFETY CHAINS</b>	3/8" Grd. 70 w/Safety Latch Hook (2 each)	<b>WHEEL</b>	16 x 6 HD White Modular 8 Bolt
<b>JACKS</b>	OD-12K TWDrop Leg OD GN-Dual 12K SW Drop Legs	<b>FLOOR</b>	10 Gauge Smooth Steel
<b>TONGUE</b>	12" I-Beam	<b>LIGHTS</b>	D.O.T. Stop, Tail, Turn & Clearance
<b>FRAME</b>	12" I-Beam	<b>ELEC. PLUG</b>	7-Way RV
<b>CROSSMEMBERS</b>	4" I-Beam and 3" x 3" Tube	<b>FINISH (Prep)</b>	Steel is Cleaned to Ensure a Professional Smooth Finish.
<b>BED CROSSMEMBERS</b>	3" Channel	<b>FINISH</b>	Superior Quality Finish is Applied with Pin-Stripping for a Highly Decorative and Protective Finish.
<b>BED LONG SILS</b>	5" Channel		
<b>BED SIDE RAILS</b>	4" x 3" Angle		

## Standard Features

- Safety Chains Attached w/Cold Rolled Eyelets
- Enclosed Pump & Battery Box Mounted in Front of Bed
- Lockable Control Unit
- Modular Sealed Wiring Harness
- 18", 10 Ga. Fold Down Sides
- 10 Ga. Floor
- Tarp Brackets
- 4-5/8" D-Rings Inside Bed
- Fully Self Contained Electric Hydraulic Scissor Lift
- 45 Degree Dump Angle
- Cambered EZ Lube Axles
- Complete Break-A-Way System w/Charge Line
- Grommet Mount Sealed Lighting
- 7' Slide In Ramps
- Combo Gate



MODEL#	DESCRIPTION
140D-14	96" x 14' Over the Axle Bumper Pull Dump
140D-14GN	96" x 14' Over the Axle Gooseneck Dump

## TRAILER WEIGHTS & CAPACITIES

LENGTH	EMPTY WEIGHT	PAYLOAD	BOX CAPACITY
140D-14'	4,140#	9,860#	6.2 Cubic Yards
140D-14GN	5,150#	8,850#	6.2 Cubic Yards

## OPTIONS

Spare Tire (ST235/80 D-16 LR-E)	2 Watt Solar Charger
Tire Upgrade (ST235/16 LR-G)	5 Watt Solar Charger
Spare Tire Upgrade (ST235/16 LR-G)	110V Charger
Spare Tire Mount (140D-Optional, OD GN-Standard)	Crank Style Roll Tarp
Wireless Remote	