



70LP

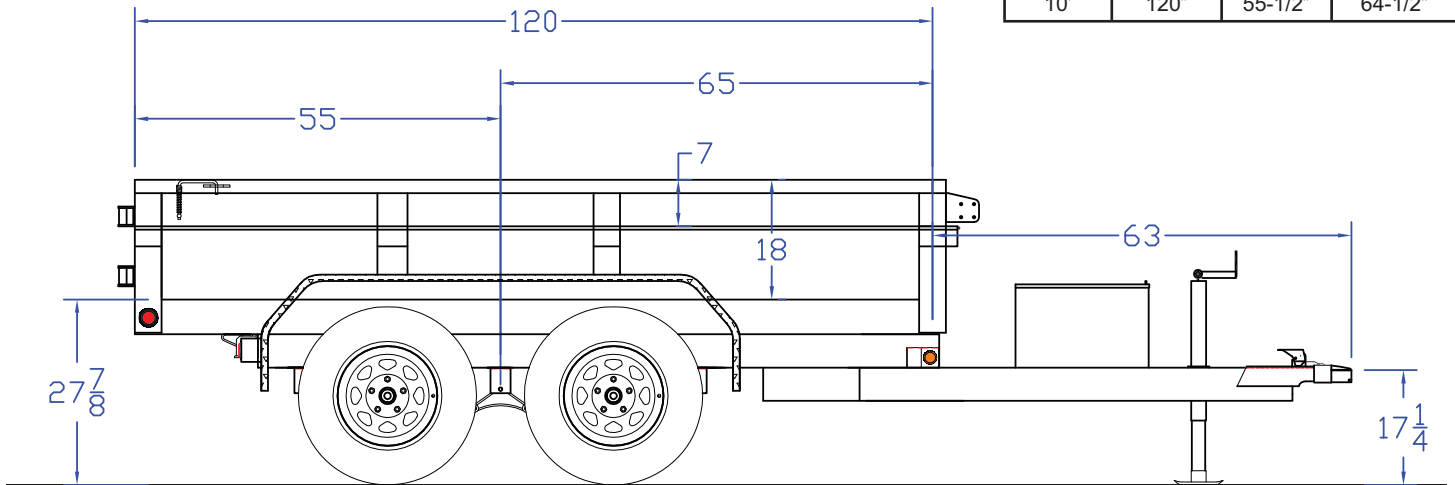
Trailers.com Tandem Axle Low Profile Dump

G.V.W.R.	7,000#	AXLES	Two 3,500# EZ Lube w/Elec. Brakes
G.A.W.R. (Ea. Axle)	3,500#	SUSPENSION	Multi-Leaf Spring w/Equalizer
COUPLER	7K 2" Forged A-Frame	TIRE	ST205/75-15 Load Range C
SAFETY CHAINS	1/4" Grd. 70 w/Safety Latch Hook (2 each)	WHEEL	15 x 5 White Spoke 5 Bolt
JACKS	2,000# Top Wind (Bolted On)	FLOOR	12 Gauge Smooth Steel
TONGUE	5" Channel	LIGHTS	D.O.T. Stop, Tail, Turn & Clearance
FRAME	5" Channel	ELEC. PLUG	7-Way RV
CROSSMEMBERS	3" X 3" Square Tubing	FINISH (Prep)	Steel is Cleaned to Ensure a Professional Smooth Finish.
BED CROSSMEMBERS	2" x 2" Square Tubing	FINISH	Superior Quality Finish is Applied with Pin-Stripping for a Highly Decorative and Protective Finish.
BED LONG SILS	3" Channel		
BED SIDE RAILS	5" x 3" Formed Angle		
FENDERS	9" x 72" Teardrop		

Standard Features

- Safety Chains Attached w/Cold Rolled Eyelets
- Enclosed Pump & Battery Box Mounted in Front of Bed
- Lockable Control Unit
- Modular Sealed Wiring Harness
- 18", 12 Ga. Sides w/Formed Channel Supports
- 1 Piece 12 Ga. Floor
- 1/2" Tie Rail on all 4 Sides
- Stake Pockets (Sides & Front)
- Tarp Brackets
- Self Contained Electric/Hydraulic Scissor Lift
- 45 Degree Dump Angle
- Cambered EZ Lube Axles
- Complete Break-A-Way System w/Charge Line
- Grommet Mount Sealed Lighting
- Double Rear Doors

Dimensions			
Length	A	B	C
10'	120"	55-1/2"	64-1/2"



MODEL#	DESCRIPTION
70LP-10	60" x 10' Low Profile Tandem Axle Dump

TRAILER WEIGHTS & CAPACITIES

LENGTH	EMPTY WEIGHT	PAYLOAD	BOX CAPACITY
10'	2,210#	4,790#	2.5 Cubic Yards

OPTIONS

Hydraulic Surge Brakes	2 Watt Solar Charger
Spare Tire Mount	5 Watt Solar Charger
Spare Tire (ST205/75-15 LR-C)	110V Charger
Wireless Remote	Crank Style Roll Tarp