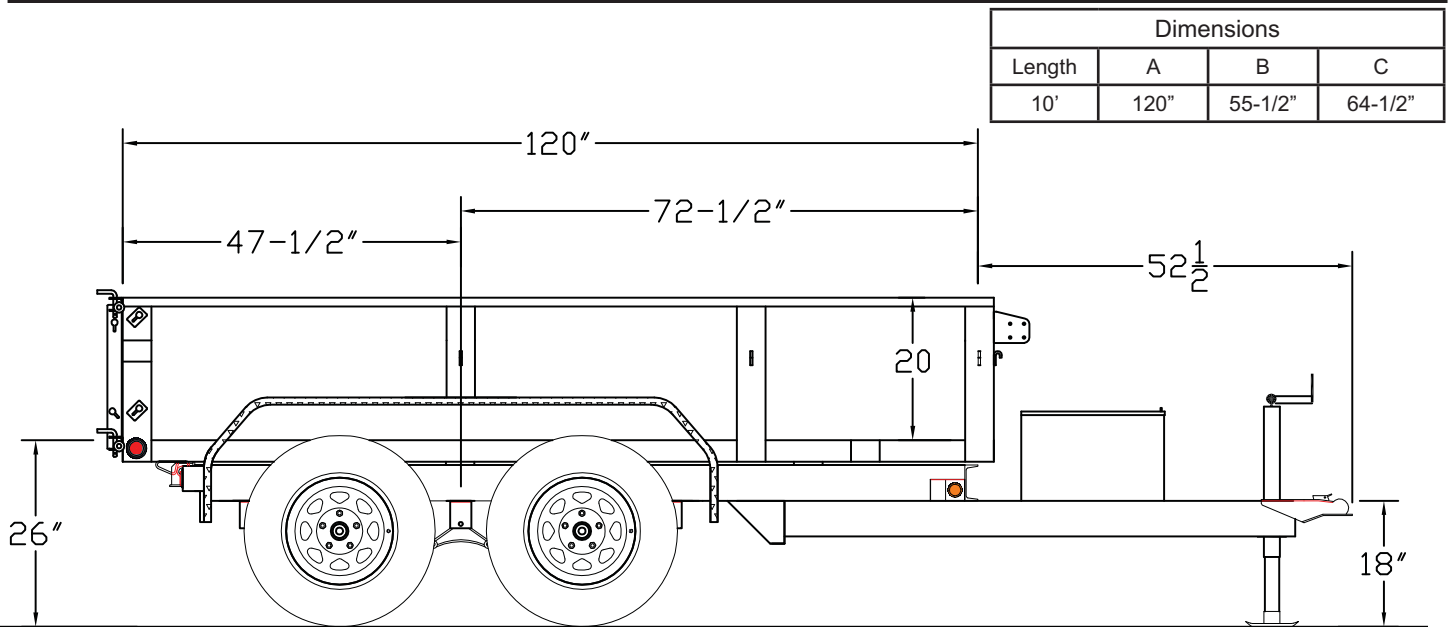


# 70SR Tandem Axle Single Ram Dump

<b>G.V.W.R.</b>	7,000#	<b>AXLES</b>	Two 3,500# EZ Lube w/Elec. Brakes
<b>G.A.W.R. (Ea. Axle)</b>	3,500#	<b>SUSPENSION</b>	Multi-Leaf Spring w/Equalizer
<b>COUPLER</b>	2-5/16" Stamped A-Frame	<b>TIRE</b>	ST205/75-15 Load Range C
<b>SAFETY CHAINS</b>	1/4" Grd. 70 w/Safety Latch Hook (2 each)	<b>WHEEL</b>	15 x 5 White Spoke 5 Bolt
<b>JACKS</b>	2,000" Top Wind (Bolted On)	<b>FLOOR</b>	16 Gauge Smooth Steel
<b>TONGUE</b>	5" Channel	<b>LIGHTS</b>	D.O.T. Stop, Tail, Turn & Clearance
<b>FRAME</b>	5" Channel	<b>ELEC. PLUG</b>	7-Way RV
<b>CROSSMEMBERS</b>	6" Channel	<b>FINISH (Prep)</b>	Steel is Cleaned to Ensure a Professional Smooth Finish.
<b>BED CROSSMEMBERS</b>	2" x 2" Square Tubing	<b>FINISH</b>	Superior Quality Finish is Applied with Pin-Stripping for a Highly Decorative and Protective Finish.
<b>BED SIDE RAILS</b>	3" x 2" Tubing		
<b>FENDERS</b>	9" x 72" DSB Diamond Plate		

## Standard Features

- Safety Chains Attached w/Cold Rolled Eyelets
- Enclosed Pump & Battery Box Mounted in Front of Bed
- Lockable Control Unit
- 20", 16 Ga. Sides w/Formed Channel Supports
- J-Hooks on all Four Sides
- Tarp Brackets
- Single Cylinder Lift
- 45 Degree Dump Angle
- Cambered EZ Lube Axles
- Complete Break-A-Way System w/Charge Line
- Grommet Mount Sealed Lighting
- 1 Piece 2 Way Style Rear Gate



MODEL#	DESCRIPTION
70SR-10-5W	60" x 10' Tandem Axle Single Ram Dump
70SR-10	72" x 10' Tandem Axle Single Ram Dump

## TRAILER WEIGHTS & CAPACITIES

LENGTH	EMPTY WEIGHT	PAYLOAD	BOX CAPACITY
10'-5W	1,730#	5,120#	3.0 Cubic Yards
10'	2,000#	5,000#	3.75 Cubic Yards

## OPTIONS

Spare Tire (ST205/75-15 LR-C)	5 Watt Solar Charger
Wireless Remote	110V Charger
2 Watt Solar Charger	Crank Style Roll Tarp