

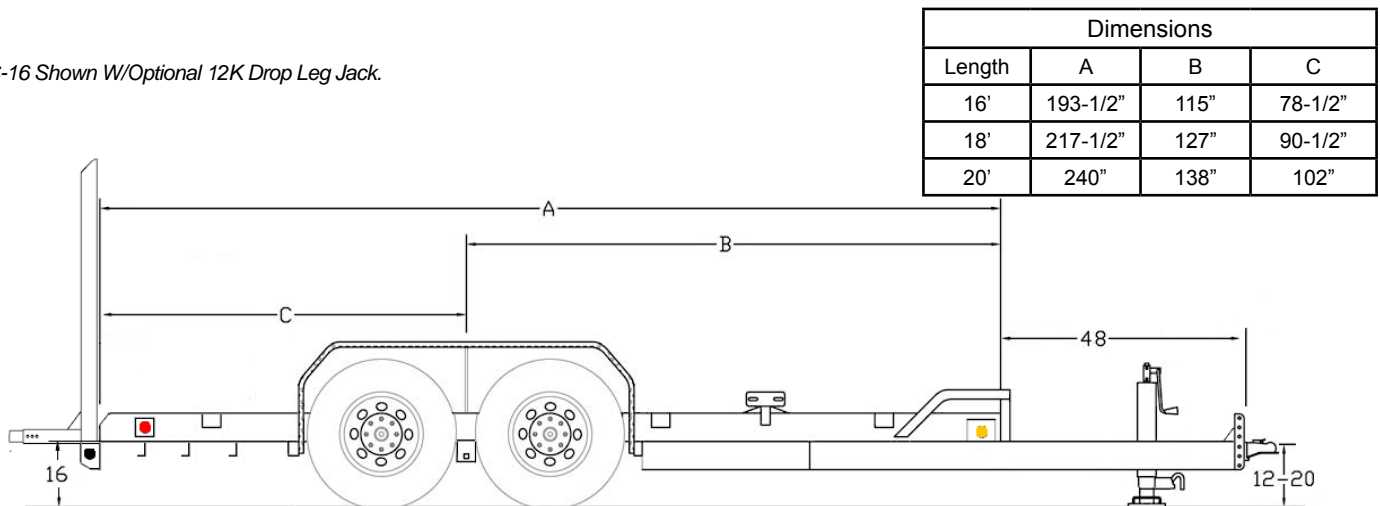
12SS Pro Series Skid Steer Trailer

G.V.W.R.	12,000#	AXLES	Two 6,000# Drop Axles w/Electric Brakes
G.A.W.R. (Ea. Axle)	6,000#	SUSPENSION	Multi-Leaf Slipper Spring w/Equalizer
COUPLER	Adjustable Forged 2-5/16"	TIRE	7.50 x 16" LT Load Range E
SAFETY CHAINS	1/4" Grd. 70 w/Safety Latch Hook (2 each)	WHEEL	16 x 6 White Spoke 8 Bolt
JACK	7,000# Drop Leg Jack (Bolted On)	FLOOR	Recessed 2" Oak S4S
TONGUE	5" Channel Fold Back	LIGHTS	L.E.D. Stop, Tail, Turn & Clearance
TOP RAIL	None	ELEC. PLUG	7-Way RV
FRAME	4 x 6" Angle 3/8"	FINISH (Prep)	Steel is Cleaned and Etched to Ensure Smooth, High Bond Paint Adhesion, & Undercoated.
CROSSMEMBERS	3" Channel	FINISH	Painted with High-Solids Supreme Automotive Grade Enamel and Pin-Striped for a Highly Decorative and Protective Finish.
UPRIGHTS	None		
FENDERS	9" x 72" Diamond Plate w/Back		

Standard Features

- Adjustable Forged Coupler
- Safety Chains Attached w/Cold Rolled Eyelets
- 7K Drop Leg Jack
- Lower Jack Support Plate
- Fold Back Tongue w/Set Back (14' and longer)
- Reflective Marker Tape
- Tie Down Pockets, Sides, Front & Rear
- Square Front w/Diamond Plate
- 2" Tubular Stop Rail
- Floor Secured w/Torx Screws
- NEV-R-ADJUST Electric Brakes
- Two 6,000# Dexter Drop Cambered EZ Lube Axles
- Complete Break-A-Way System w/Charger
- Spare Tire Mount
- 2" Nominal Oak Deck
- 5' Stand-Up Ramps w/Support Leg
- Recessed Sealed L.E.D Lighting

*12SS-16 Shown W/Optional 12K Drop Leg Jack.



MODEL#	WEIGHT	DESCRIPTION
12SS-16	2,780#	80" x 16' Tandem Axle Equipment Trailer
12SS-18	2,940#	80" x 18' Tandem Axle Equipment Trailer
12SS-20	3,100#	80" x 20' Tandem Axle Equipment Trailer

OPTIONS

Adjustable Pintle in Channel	Tire Upgrade (ST235/16 LR-E)
Hydraulic Brakes 2 Axles	Spare Tire Upgrade (ST235/16 LR-E)
Spare Tire (7.50 x 16" LT LR-E)	12K Top Wind Drop Leg Jack