

Low Pro Skid Steer Equipment Trailer

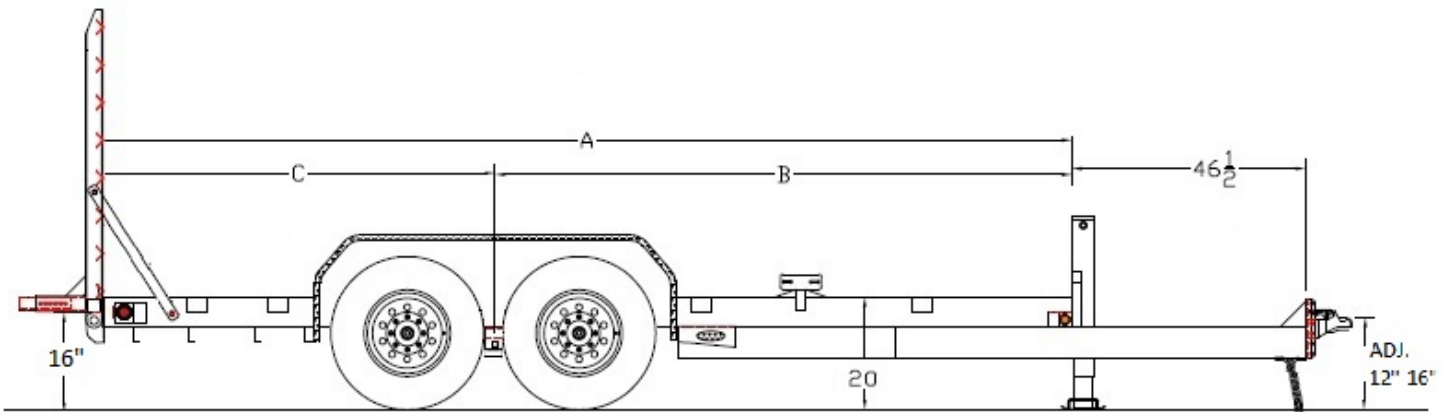
G.V.W.R.	14,000#	AXLES	Two 7,000# Drop EZ Lube w/Electric Brakes
G.A.W.R. (Ea. Axle)	7,000#	SUSPENSION	Multi-Leaf Spring w/Equalizer
COUPLER	Adjustable Cast 2-5/16"	TIRE	ST235/16 Load Range E
SAFETY CHAINS	3/8" Grd. 70 w/Safety Latch Hook (2 each)	WHEEL	16 x 6 Radial Heavy White Mod 8 Bolt
JACK	7K Dropleg Jack - Top Wind (Bolted On)	FLOOR	2" Nominal Oak Deck
TONGUE	6" Channel Fold Back	LIGHTS	D.O.T. Stop, Tail, Turn & Clearance
TOP RAIL	None	ELEC. PLUG	7-Way RV
FRAME	4" X 6" X 3/8" Angle	FINISH (Prep)	Steel is Cleaned to Ensure a Professional Smooth Finish.
CROSSMEMBERS	3" Channel on 16" Centers	FINISH	Superior Quality Finish is Applied for a Highly Decorative and Protective Finish.
UPRIGHTS	None		
FENDERS	9" x 72" Diamond Plate w/Back (Removable)		

Standard Features

- Adjustable Cast Coupler
- Safety Chains Atchd w/Cold Rolled Eyelets
- 7K Top Wind Drop Leg Jack
- Fold Back Tongue
- 2" Tubular Stop Rail
- Tie Down Pockets
- Floor Secured w/Torx Screws
- Reflective Marker Tape
- Cambered EZ Lube Axles
- Dexter 7,000# Drop Axles w/Electric Brakes
- Complete Break-A-Way System w/Charger
- Spare Mount
- Recessed Floor
- 5' Stand Up Ramps w/Adj. Support Legs

Shown with Optional 12K SW Jack

Dimensions			
Length	A	B	C
16'	193-1/2"	115"	78-1/2"
18'	217-1/2"	127"	90-1/2"
20'	240"	138"	102"



MODEL#	WEIGHT	DESCRIPTION
14ET-16	2,900#	83" x 16' Tandem Axle Equipment Trailer
14ET-18	3,100#	83" x 18' Tandem Axle Equipment Trailer
14ET-20	3,300#	83" x 20' Tandem Axle Equipment Trailer

OPTIONS

Pintle	Spare Tire (ST235/80 R-16 LR-E)
12K Drop Leg Jack - Top Wind	Tire Upgrade (ST235/85 R-16 LR-G)
12K Drop Leg Jack - Side Wind	Spare Tire Upgrade (ST235/85 R-16 LR-G)
Hydraulic Brakes 2 Axles	Oak Deck