

14SS Skid Steer Equipment Trailer

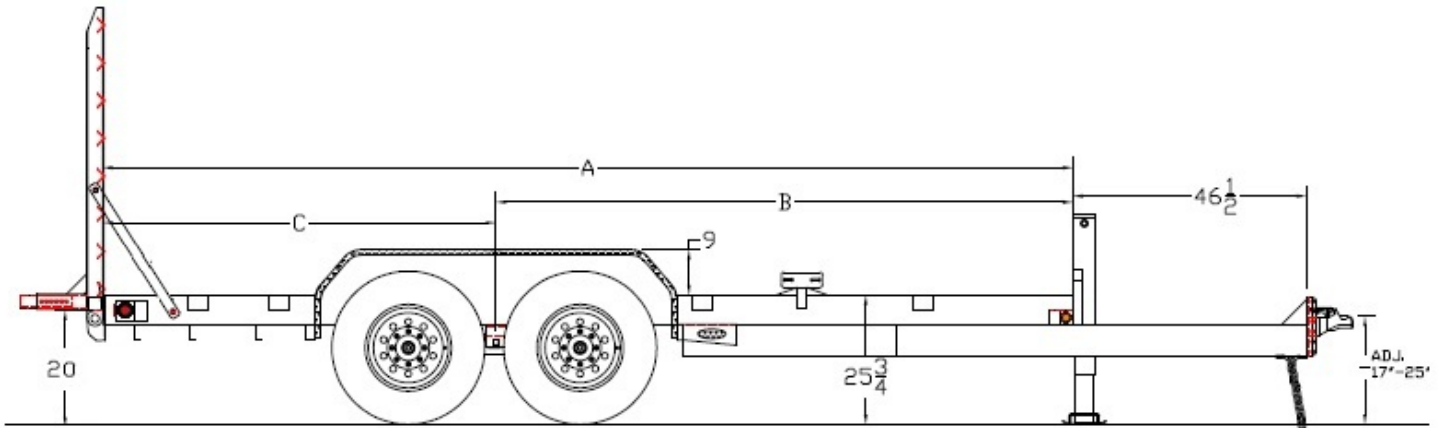
G.V.W.R.	14,000#
G.A.W.R. (Ea. Axle)	7,000#
COUPLER	Adjustable Cast 2-5/16"
SAFETY CHAINS	3/8" Grd. 70 w/Safety Latch Hook (2 each)
JACK	7K Dropleg Jack - Top Wind (Bolted On)
TONGUE	6" Channel Fold Back
TOP RAIL	None
FRAME	4" X 6" X 3/8" Angle
CROSSMEMBERS	3" Channel on 16" Centers
UPRIGHTS	None
FENDERS	9" x 72" Diamond Plate w/Back (Removable)
AXLES	Two 7,000# EZ Lube w/Electric Brakes
SUSPENSION	Multi-Leaf Spring w/Equalizer
TIRE	ST235/16 Load Range E
WHEEL	16 x 6 Radial Heavy White Mod 8 Bolt
FLOOR	2" Pine
LIGHTS	D.O.T. Stop, Tail, Turn & Clearance
ELEC. PLUG	7-Way RV
FINISH (Prep)	Steel is Cleaned to Ensure a Professional Smooth Finish.
FINISH	Superior Quality Finish is Applied for a Highly Decorative and Protective Finish.

Standard Features

- Adjustable Cast Coupler
- Safety Chains Attdhd w/Cold Rolled Eyelets
- 7K Top Wind Drop Leg Jack
- Fold Back Tongue
- 2" Tubular Stop Rail
- Tie Down Pockets
- Floor Secured w/Torx Screws
- Reflective Marker Tape
- Cambered EZ Lube Axles
- Two 7,000# Axles w/Electric Brakes
- Complete Break-A-Way System w/Charger
- Spare Mount
- Recessed Floor
- 5' Stand Up Ramps w/Adj. Support Legs

Shown with Optional 12K SW Jack

Dimensions			
Length	A	B	C
16'	193-1/2"	115"	78-1/2"
18'	217-1/2"	127"	90-1/2"
20'	240"	138"	102"



MODEL#	WEIGHT	DESCRIPTION
14ET-16	2,900#	83" x 16' Tandem Axle Equipment Trailer
14ET-18	3,100#	83" x 18' Tandem Axle Equipment Trailer
14ET-20	3,300#	83" x 20' Tandem Axle Equipment Trailer

OPTIONS

Drop Axles (80" Wide)	Spare Tire (ST235/80 R-16 LR-E)
12K Drop Leg Jack - Top Wind	Tire Upgrade (ST235/85 R-16 LR-G)
12K Drop Leg Jack - Side Wind	Spare Tire Upgrade (ST235/85 R-16 LR-G)
Hydraulic Brakes 2 Axles	Oak Deck