

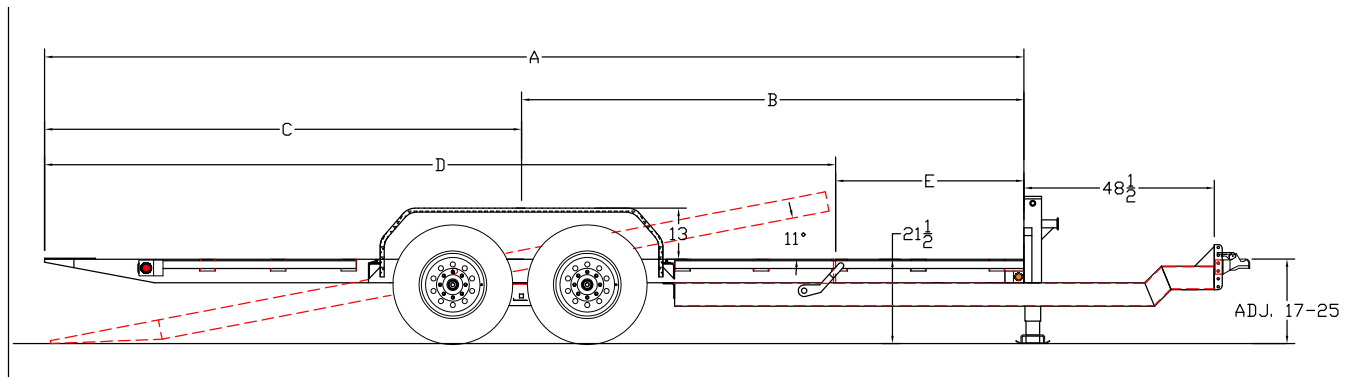
14TL Pro Series Tilt Bed Equipment

G.V.W.R.	14,000#	AXLES	Two 7,000# EZ Lube w/Electric Brakes
G.A.W.R. (Ea. Axle)	7,000#	SUSPENSION	Multi-Leaf Slipper Spring w/Equalizer
COUPLER	Adjustable 14K Cast 2-5/16"	TIRE	ST235/85R16 Load Range E
SAFETY CHAINS	3/8" Grd. 70 w/Safety Latch Hook (2 each)	WHEEL	16 x 6 White Spoke 8 Bolt
JACK	12K Drop Leg Jack Against Bed - Side Wind	FLOOR	2" Pine
TONGUE	6" Channel Fold Back	LIGHTS	D.O.T. Stop, Tail, Turn & Clearance
TOP RAIL	None	ELEC. PLUG	7-Way RV
FRAME	6" Channel	FINISH (Prep)	Steel is Cleaned to Ensure a Professional Smooth Finish.
CROSSMEMBERS	3" Channel, 3" Sq. Tube	FINISH	Superior Quality Finish is Applied for a Highly Decorative and Protective Finish.
FENDERS	9" x 72" Double Square Brake Diamond Plate (Bolted On)		

Standard Features

- Adjustable Forged Coupler
- Fold Back Tongue w/Raised Coupler
- Safety Chains Attached w/Cold Rolled Eyelets
- 12K Side Wind Drop Leg Jack
- Unique Two Piece Main Frame
- 102" Wide Overall, 83" Width Between Fenders
- Tilt Platform is 75" Wide
- Hydraulic Dampening System
- Reflective Marker Tape
- Floor Secured w/Torx Screws
- Cambered EZ Lube Axles
- Two 7,000# Axles w/2 Electric Brakes
- Complete Break-A-Way System w/Charger Spare Tire Mount
- 1/4" Diamond Plate Knife Edge
- Grommet Mount Sealed Lighting

Dimensions					
Length	A	B	C	D	E
20'	249-1/2"	129"	112-1/2"	201"	48"
22'	273-1/2"	153"	112-1/2"	201"	72"



MODEL#	WEIGHT	DESCRIPTION
14TL-20	3,480#	83" x 20' (14' + 6') Tilt Trailer
14TL-22	3,520#	83" x 22' (16' + 6') Tilt Trailer

OPTIONS

Adjustable Pintle in Channel	Tire Upgrade (ST235/80 R-16 LR-G)
Hydraulic Brakes 2 Axles	Spare Tire Upgrade (ST235/80 R-16 LR-G)
Spare Tire (ST235 R-16 LR-E)	