

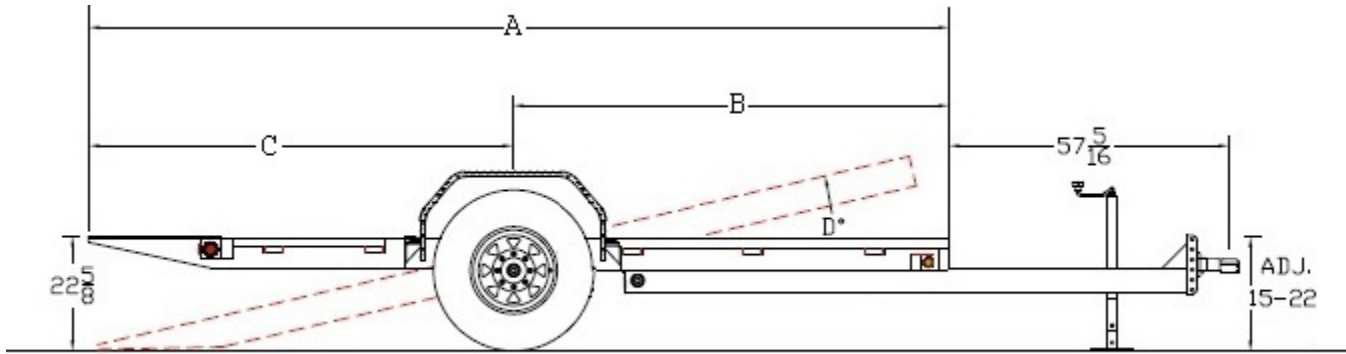
# 60FT Pro Series Single Axle Tilt

<b>G.V.W.R.</b>	6,000#	<b>AXLE</b>	6,000# EZ Lube Drop Axle Electric Brake
<b>G.A.W.R. (Ea. Axle)</b>	6,000#	<b>SUSPENSION</b>	Spring
<b>COUPLER</b>	Adjustable Forged 2-5/16"	<b>TIRE</b>	ST235/16 - Load Range E
<b>SAFETY CHAINS</b>	1/4" Grd. 70 w/Safety Latch Hook (2 each)	<b>WHEEL</b>	16 x 6 White Spoke 8 Bolt
<b>JACK</b>	7K Drop Leg	<b>FLOOR</b>	2" Treated Pine
<b>TONGUE</b>	5" Channel	<b>LIGHTS</b>	D.O.T. Stop, Tail, Turn & Clearance
<b>FRAME</b>	5" Channel	<b>ELEC. PLUG</b>	7-Way RV
<b>CROSSMEMBERS</b>	3" Channel	<b>FINISH (Prep)</b>	Steel is Cleaned to Ensure a Professional Smooth Finish.
<b>FENDERS</b>	16 Ga. Jeep Style	<b>FINISH</b>	Superior Quality Finish is Applied for a Highly Decorative and Protective Finish.

### Standard Features

- 7K Drop Leg Jack
- Safety Chains Attchd w/Cold Rolled Eyelets
- Safety Reflective Marker Tape
- 1/4" Diamond Plate Knife Edge
- Texturized Floor for Increased Traction
- 83" Inside Dimension
- Rub Rail and Stake Pockets
- 6,000# Axle w/Electric Brake
- Cambered EZ Lube Drop Axle
- Complete Break-A-Way System w/Battery & Charger
- Tilt Bed w/Heavy Duty Latch
- 11 Degree Tilt Angle
- Grommet Mount Sealed Lighting

Dimensions With Dovetail			
Length	A	B	C
12'	144"	70"	74"



MODEL#	WEIGHT	DESCRIPTION
60FT-12	1,730#	83" x 12' HD Single Axle Tilt

#### OPTIONS

Adjustable 3" Pintle	Spare Tire (ST235/16 LR-E)
Hydraulic Surge Brakes on One Axle	Spare Tire Mount (Vertical on Tongue)