


Ben Hur Trailer Sales
5330 Hamilton Middletown Road
Hamilton, OH 45011 - USA
Phone: 513-896-9940
Web: www.benhurtrailers.com



Part	Width
GD8014072	80" x 14' Tandem Axle Gooseneck Dump (with scissor lift)
GD8016072	80" x 16' Tandem Axle Gooseneck Dump (with scissor lift)
GD8310072	83" x 10' Tandem Axle Gooseneck Dump
GD8312072	83" x 12' Tandem Axle Gooseneck Dump
GD8314072	83" x 14' Tandem Axle Gooseneck Dump (with scissor lift)
GD8316072	83" x 16' Tandem Axle Gooseneck Dump (with scissor lift)



Includes industry best warranty and (free) roadside assistance program. Read more at www.loadtrail.com

**GD14 stock photo. May be shown with optional equipment.

Standard Specifications:

Product Line	Dump Trailers	Product Series:	GD14
GVWR:	14,000 lb	GAWR:	7,000 Lb (ea axle)
Couplers:	2 5/16" Adjustable Coupler Round (20,000 lb)	Safety Chains:	18,800 Lb 5/16 x 36 G#70
Jack:	1-10K Drop Leg Spring Return	Axles:	2-7,000 Lb Cambered Dexter Spring 2 Elec. Brake
Wheels:	16" 8-Hole White Spoke	Tires:	235/80 R16 LRE
Suspension:	Multi-Leaf Slipper Spring	Tongue & Neck:	
Frame:	6" Channel (8.2 lbs/ft)	Bed Frame	2" x 6" Tubing
Side Rails:	10 Ga. 24" High Sides	Crossmembers	5" Channel (6.7 lbs/ft)
Bed Crossmembers	3" Channel (3.5 lbs/ft)	Flooring:	10 Ga. Smooth Plate
Fenders:	Weld On Diamond Plate	Lights:	D.O.T. Stop, Tail, Turn and Clearance
Wire Harness:	16 Ga. 5-Way Double Insulated Harness w/7-way plug	Hydraulic Cylinder:	5" x 30" x 2"
Finishing Coat:	Sherwin-Williams Powdura Polyester TGIC Gloss Powder Coating	Finish (prep):	Mechanical and/or Chemical Pretreatment for Maximum Paint Adhesion
Neck	10" I-Beam (12 lbs/ft)	Gate	3-Way Spreader Gate
Hydraulic Power Units:	Double Acting Power Unit	Tarp:	E-Z Lock Mesh Tarp System with Cover
Tool Box:	Front Tool box		

Axle Options:

Code	Axle
ES2	2 - 7,000 Lb Dexter Spring Axles (2 Elec Brakes)
HS2	2 - 7,000 Lb Dexter Spring Axles (2 Hyd Drum Brakes)

Color Options:

Code	Color
CB2	Black
CG3	Grey
CW4	White
CR5	Red
CB6	Blue
CG7	Green
CY8	Yellow
C09	Orange



Additional Options:

Tire Upgrades

- A05** ST235/80 R16 LRE 10 Ply.
- A06** ST235/85 R16 LRG 14 Ply.

Couplers

- C14** Gooseneck Coupler 2-5/16" Adjustable Rd.
- C15** Gooseneck Coupler 2-5/16" Adjustable Sq.

King Pin

- C50** King Pin Fifth-Wheel Adapter Adjustable Rd.
- C51** King Pin Fifth-Wheel Adapter Adjustable Sq.

Gates & Ramps

- G50** 24" 3 Way Gate
- G51** 5' Spreader Gate
- H05** 24" 3 Way Gate w/Slide-IN Ramps 6' x 16" (dump)

Jacks

- J04** Jack Spring Loaded Drop Leg 1-10K
- J05** Jack Spring Loaded Drop Leg 2-10K

Lights

- L01** Lighting Regular
- L03** Lighting LED (optional)

D-Rings

- M02** D-Rings 3" Weld On (2 additional)
- M03** D-Rings 3" Weld On (4 additional)
- M07** D-Rings 3" Weld On (6 additional)
- M04** D-Rings 4" Recessed 360 Rotational Bolt On (4 each)
- M05** D-Rings 4" Recessed 360 Rotational Bolt On (6 each)
- M06** D-Rings 4" Recessed 360 Rotational Bolt On (8 each)

Raised Necks

- N00** Standard Neck
- N01** Raised Neck & Coupler 6"
- N02** Raised Neck & Coupler 12"

Tool Box

- T01** Front Mount Tool Box
- T05** Front Tool Box Full Width Between Risers

Hydraulics (dumps)

- V00** Cylinder Package
- V04** Cylinder Package w/3-Way Pump
- V02** Scissor Hoist w/Standard Pump
- V03** Scissor Hoist w/3-Way Pump

Extensions

- X01** Exp. Metal Extensions 24"
- X02** Solid Metal Extensions 24"

Solar Panel Charger

- SC1** Solar Panel Charger

Wireless Remote Control

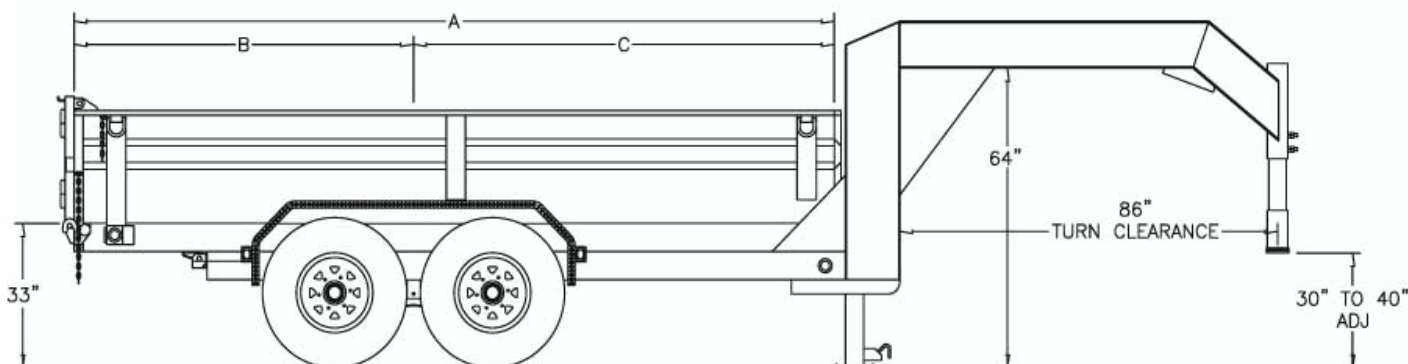
- RC1** Wireless Remote Double Acting Dump Control

Rear Support Jacks

- RS2** Rear Support Stands (Tube)

Road Service Program

- RSP** Road Service Program 903-783-3933 for Info.



CUBIC YARDS		
Length	Cu. Yd	Degrees
10'	4.44	0-45
12'	5.33	0-45
14'	6.22	0-45

DIMENSIONS			
Length	A	B	C
10'	120"	56"	64"
12'	144"	69"	75"
14'	168"	74"	94"

