

**Ben Hur Trailer Sales**  
5330 Hamilton Middletown Road  
Hamilton, OH 45011 - UNITED STATES  
Phone: 513-896-9940  
Web: [www.benhurtrailers.com](http://www.benhurtrailers.com)



Part	Width
BC8012052	80" X 12' Tandem Axle Bobcat DPF DP Runing Boards Front Tool Box Fold Up Ramps
BC8014052	80" X 14' Tandem Axle Bobcat DPF DP Runing Boards Front Tool Box Fold Up Ramps
BC8016052	80" X 16' Tandem Axle Bobcat DPF DP Runing Boards Front Tool Box Fold Up Ramps
BC8018052	80" X 18' Tandem Axle Bobcat DPF DP Runing Boards Front Tool Box Fold Up Ramps
BC8020052	80" X 20' Tandem Axle Bobcat DPF DP Runing Boards Front Tool Box Fold Up Ramps



**Includes industry best warranty and (free) roadside assistance program. Read more at [www.loadtrail.com](http://www.loadtrail.com)**

\*\*BC10 stock photo. May be shown with optional equipment.

### Standard Specifications:

<b>Product Line</b>	Car-Haulers & Bob Cats	<b>GVWR:</b>	9,990 lb
<b>GAWR:</b>	5,200 Lb (ea axle)	<b>Couplers:</b>	2-5/16" Adjustable
<b>Safety Chains:</b>	12,600 Lb 1/4 x 28 G#70	<b>Jack:</b>	1-10K Drop Leg Spring Return
<b>Axles:</b>	2-5,200 Lb Drop Cambered Dexter Spring Elec Brake	<b>Wheels:</b>	16" 6-Hole White Spoke
<b>Tires:</b>	235/80 R16 LRE	<b>Suspension:</b>	Multi-Leaf Spring
<b>Fenders:</b>	Weld On Diamond Plate	<b>Ramps:</b>	16" x 5' Fold-Up Ramps
<b>Tongue &amp; Neck:</b>	6" Channel (8.2 lbs/ft)	<b>Frame:</b>	4" x 6" Angle Iron
<b>Up Rights:</b>	2" x 2" x 3/16" Angle Iron	<b>Top Rail:</b>	2" x 2" x 1/8" Tubing
<b>Crossmembers</b>	3" Channel (3.5 lbs/ft)	<b>Running Boards:</b>	1/8" Diamond Plate
<b>Tool Box:</b>	Front Tongue Mount	<b>Flooring:</b>	1/8" Diamond Plate
<b>Lights:</b>	D.O.T. Stop, Tail, Turn and Clearance	<b>Wire Harness:</b>	16 Ga. 5-Way Double Insulated Harness w/7-way plug
<b>Finish (prep):</b>	Mechanical and/or Chemical Pretreatment for Maximum Paint Adhesion	<b>Finishing Coat:</b>	DTM Polyurethane Coating System
<b>Product Series:</b>	BC10	<b>D-Rings:</b>	3" Standard D-Rings
<b>EWR Class</b>	BOBCAT	<b>GVWR:</b>	9,990 lb
<b>Product Series:</b>	BC10	<b>Couplers:</b>	2-5/16" Adjustable
<b>GAWR:</b>	5,200 Lb (ea axle)	<b>Axles:</b>	2-5,200 Lb Drop Cambered Dexter Spring 1 Elec Brake
<b>Jack:</b>	1-10K Drop Leg Spring Return	<b>Safety Chains:</b>	12,600 Lb 1/4 x 28 G#70
<b>Tires:</b>	235/80 R16 LRE	<b>Wheels:</b>	16" 6-Hole White Spoke
<b>Flooring:</b>	1/8" Diamond Plate	<b>Tongue &amp; Neck:</b>	6" Channel (8.2 lbs/ft)
<b>Up Rights:</b>	2" x 2" x 3/16" Angle Iron	<b>Running Boards:</b>	1/8" Diamond Plate
<b>Tool Box:</b>	Front Tongue Mount	<b>Suspension:</b>	Multi-Leaf Spring
<b>Fenders:</b>	Weld On Diamond Plate	<b>Crossmembers</b>	3" Channel (3.5 lbs/ft)
<b>Frame:</b>	4" x 6" Angle Iron	<b>Top Rail:</b>	2" x 2" x 1/8" Tubing
<b>Lights:</b>	D.O.T. Stop, Tail, Turn and Clearance	<b>Ramps:</b>	16" x 5' Fold-Up Ramps
<b>Product Line</b>	Car-Haulers & Bob Cats	<b>Wire Harness:</b>	16 Ga. 5-Way Double Insulated Harness w/7-way plug
<b>Finishing Coat:</b>	DTM Polyurethane Coating System	<b>Finish (prep):</b>	Mechanical and/or Chemical Pretreatment for Maximum Paint Adhesion
<b>EWR Class</b>	BOBCAT	<b>D-Rings:</b>	3" Standard D-Rings

## Additional Options:

### Tire Upgrades

**A05** ST235/80 R16 LRE 10 Ply.

### Couplers

**C07** Coupler 2-5/16" Adjustable 6 Hole

**C08** Coupler 2-5/16" Adjustable Hyd.

**C11** Pintle Ring 3" Adjustable 6 Hole

### Ramps

**H03** Fold Up Ramps 5' x 16" (carhauler)

**H04** 3rd. Fold Up Ramp 5' x 16" (carhauler)

### Cross Members

**I02** 12" Cross-Members

### Jacks

**J05** Jack Spring Loaded Drop Leg 1-10K

### Lights

**L01** Lighting Regular

**L03** Lighting LED (optional)

### D-Rings

**M02** D-Rings 3" Weld On (2 additional)

**M03** D-Rings 3" Weld On (4 additional)

**M04** D-Rings 4" Recessed 360 Rotational Bolt On (4 each )

**M05** D-Rings 4" Recessed 360 Rotational Bolt On (6 each )

**M06** D-Rings 4" Recessed 360 Rotational Bolt On (8 each )

### Winch

**W01** Winch Plate

**W10** 15000lb. Winch PKG(Std Plate,Batt, Charger,Mounting Hdw)

### Rub Rails

**RR1** Rub Rail

### Rear Support Jacks

**RS1** Rear Support Stands (2 - 5,000 Lb Swivel Jacks)

### Spare Tires

**STH** Spare Tire ST235/80 R16 LRE 10 Ply. 6 Hole White Spoke

### Stake Pockets

**SP1** 4 - Additional Stake Pockets

### Spare Tire Mount (universal)

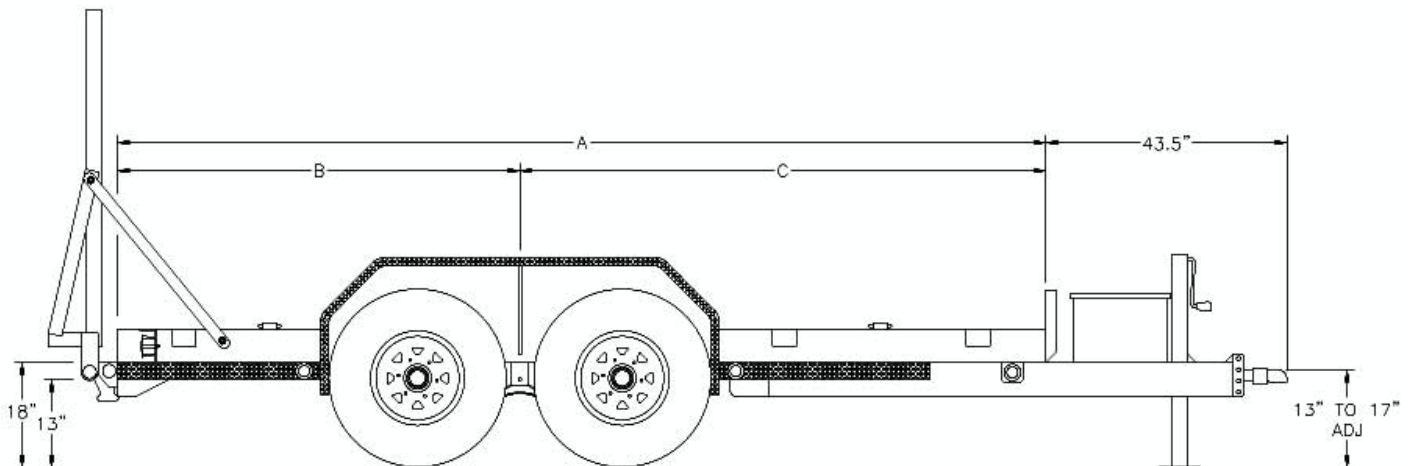
**TM1** Spare Tire Mount

### Zinc Primer

**ZP1** Zinc Primer

### Road Service Program

**RSP** Road Service Program 903-783-3933 for Info.



DIMENSIONS			
Length	A	B	C
12'	144"	58"	86"
14'	168"	68"	100"
16'	192"	77"	115"
18'	216"	87"	129"
20'	240"	96"	144"