

Ben Hur Trailer Sales
5330 Hamilton Middletown Road
Hamilton, OH 45011 - UNITED STATES
Phone: 513-896-9940
Web: www.benhurtrailers.com



Part	Width
DT6010032	60" x 10' Tandem Axle Dump
DT7210032	72" x 10' Tandem Axle Dump
DT8310032	83" x 10' Tandem Axle Dump

Includes industry best warranty and (free) roadside assistance program. Read more at www.loadtrail.com

**DT07 stock photo. May be shown with optional equipment.

Standard Specifications:

Product Line	Dump Trailers	Product Series:	DT07
GVWR:	7,000 lb	GAWR:	3,500 Lb (ea axle)
Couplers:	2" A-Frame 7,000 Lb	Safety Chains:	5,200 Lb 1/4 x 27 G#30
Jack:	Dropleg 7,000 Lb	Axles:	2-3,500 Lb Cambered Dexter Spring 2 Elec. Brake
Wheels:	15" 5-Hole White Spoke	Tires:	205/75 D15 LRC
Suspension:	Multi-Leaf Spring	Tongue & Neck:	5" Channel (6.7 lbs/ft)
Frame:	4" Channel (4.5 lbs/ft)	Bed Frame	2" x 4" Tubing
Side Rails:	10 Ga. 18" High Sides	Crossmembers	5" Channel (6.7 lbs/ft)
Bed Crossmembers	3" Channel (3.5 lbs/ft)	Flooring:	10 Ga. Smooth Plate
Fenders:	Weld On Diamond Plate	Lights:	D.O.T. Stop, Tail, Turn and Clearance
Wire Harness:	16 Ga. 5-Way Double Insulated Harness w/7-way plug	Hydraulic Cylinder:	5" x 30" x 2"
Finishing Coat:	Sherwin-Williams Powdura Polyester TGIC Gloss Powder Coating	Finish (prep):	Mechanical and/or Chemical Pretreatment for Maximum Paint Adhesion
Gate	3-Way Spreader Gate	Tarp:	E-Z Lock Mesh Tarp System with Cover
Tool Box:	Front Tongue Mount	Hydraulic Power Units:	Double Acting Power Unit
EWR Class	DUMP TRAILER	Tarp:	E-Z Lock Mesh Tarp System with Cover
GVWR:	7,000 lb	Side Rails:	10 Ga. 18" High Sides
Product Series:	DT07	Gate	3-Way Spreader Gate
Couplers:	2" A-Frame 7,000 Lb	GAWR:	3,500 Lb (ea axle)
Axles:	2-3,500 Lb Cambered Dexter Spring 2 Elec. Brake	Bed Crossmembers	3" Channel (3.5 lbs/ft)
Bed Frame	2" x 4" Tubing	Jack:	Dropleg 7,000 Lb
Safety Chains:	5,200 Lb 1/4 x 27 G#30	Tires:	205/75 D15 LRC
Wheels:	15" 5-Hole White Spoke	Flooring:	10 Ga. Smooth Plate
Tool Box:	Front Tongue Mount	Tongue & Neck:	5" Channel (6.7 lbs/ft)
Suspension:	Multi-Leaf Spring	Crossmembers	5" Channel (6.7 lbs/ft)
Frame:	4" Channel (4.5 lbs/ft)	Fenders:	Weld On Diamond Plate
Lights:	D.O.T. Stop, Tail, Turn and Clearance	Product Line	Dump Trailers
Wire Harness:	16 Ga. 5-Way Double Insulated Harness w/7-way plug	Finishing Coat:	Sherwin-Williams Powdura Polyester TGIC Gloss Powder Coating
Finish (prep):	Mechanical and/or Chemical Pretreatment for Maximum Paint Adhesion	EWR Class	DUMP TRAILER
Hydraulic Cylinder:	5" x 30" x 2"	Hydraulic Power Units:	Double Acting Power Unit

Additional Options:

Tire Upgrades

- A02** ST205/75 R15 LRD 8 Ply.
- A04** ST225/75 R15 LRD 8 Ply.
- A01** ST205/75 D15 LRC 6 Ply.
- A03** ST225/75 D15 LRD 8 Ply.

Couplers

- C01** Coupler 2" A-Frame Cast
- C03** Coupler 2" A-Frame Cast Hyd.
- C04** Coupler 2" Adjustable 4 Hole
- C07** Coupler 2-5/16" Adjustable 4 Hole
- C11** Pintle Ring 3" Adjustable 4 Hole

Doors & Ramps (dumps)

- G53** 18" 3 Way Gate
- G51** 5' Spreader Gate
- H01** 3 Way Gate w/Side Mount Ramps 58" (dump)

Lights

- L01** Lighting Regular
- L03** Lighting LED (optional)

D-Rings

- M02** D-Rings 3" Weld On (2 additional)
- M03** D-Rings 3" Weld On (4 additional)
- M07** D-Rings 3" Weld On (6 additional)
- M04** D-Rings 4" Recessed 360 Rotational Bolt On (4 each)
- M05** D-Rings 4" Recessed 360 Rotational Bolt On (6 each)
- M06** D-Rings 4" Recessed 360 Rotational Bolt On (8 each)

Extensions

- X01** Exp. Metal Extensions 24"
- X02** Solid Metal Extensions 24"

Solar Panel Charger

- SC1** Solar Panel Charger

Rear Support Jacks

- RS2** Rear Support Stands (Tube)

Spare Tires

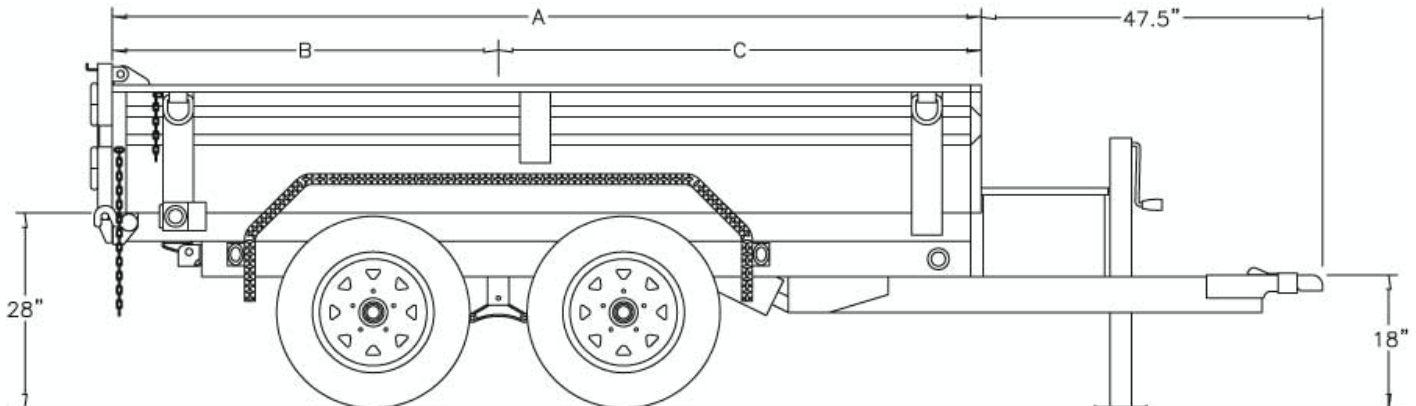
- STC** Spare Tire ST205/75 R15 LRD 8 Ply. 5-Hole White Spoke
- STE** Spare Tire ST225/75 R15 LRD 8 Ply. 5-Hole White Spoke
- STB** Spare Tire ST205/75 D15 LRC 6 Ply. 5-Hole White Spoke
- STD** Spare Tire ST225/75 D15 LRD 8 Ply. 5-Hole White Spoke

Spare Tire Mount (universal)

- TM1** Spare Tire Mount

Road Service Program

- RSP** Road Service Program 903-783-3933 for Info.



CUBIC YARDS		
Length	Cu. Yd	Degrees
60"x10'	2.78	0-45
83"x10'	3.61	0-45

DIMENSIONS			
Length	A	B	C
10'	120"	56"	64"