


Ben Hur Trailer Sales
5330 Hamilton Middletown Road
Hamilton, OH 45011 - UNITED STATES
Phone: 513-896-9940

Part	Width
GD9614072	96" X 14' Tandem Axle Gooseneck Deck Over Dump Trailer (with scissor lift)

GD9616072	96" X 16' Tandem Axle Gooseneck Deck Over Dump Trailer (with scissor lift)
-----------	--



Includes industry best warranty and (free) roadside assistance program. Read more at www.loadtrail.com

**GZ14 stock photo. May be shown with optional equipment.



Standard Specifications:

Product Line	Dump Trailers	Product Series:	GZ14
GVWR:	14,000 lb	GAWR:	7,000 Lb (ea axle)
Couplers:	2 5/16" Adjustable Coupler Round (20,000 lb)	Neck	10" I-Beam (12 lbs/ft)
Safety Chains:	18,800 Lb 5/16 x 36 G#70	Jack:	2-10K Drop Leg Spring Return
Axles:	2-7,000 Lb Cambered Dexter Spring 2 Elec. Brake	Wheels:	16" 8-Hole Sliver Mod
Tires:	235/80 R16 LRE (w/ spare)	Suspension:	Multi-Leaf Spring
Frame:	10" I-Beam (12 lbs/ft)	Bed Frame	2" x 6" Tubing
Side Rails:	10 Ga. 18" High Sides	Crossmembers	4" Channel (4.5 lbs/ft)
Bed Crossmembers	3" Channel (3.5 lbs/ft)	Flooring:	10 Ga. Smooth Plate
Lights:	D.O.T. Stop, Tail, Turn and Clearance	Wire Harness:	16 Ga. 5-Way Double Insulated Harness w/7-way plug
Hydraulic Cylinder:	5" x 21-1/2" x 2"	Finishing Coat:	Sherwin-Williams Powdura Polyester TGIC Gloss Powder Coating
Finish (prep):	Mechanical and/or Chemical Pretreatment for Maximum Paint Adhesion	Tongue & Neck:	10" I-Beam (12 lbs/ft)
Gate	3-Way Spreader Gate	Scissor Lift	Scissor Lift
Hydraulic Power Units:	Double Acting Power Unit	Tarp:	E-Z Lock Mesh Tarp System with Cover
Tool Box:	Front Tool box	EWR Class	DUMP TRAILER
D-Rings:	3" Standard D-Rings	Tarp:	E-Z Lock Mesh Tarp System with Cover
GVWR:	14,000 lb	Side Rails:	10 Ga. 18" High Sides
Product Series:	GZ14	Neck	10" I-Beam (12 lbs/ft)
Gate	3-Way Spreader Gate	Couplers:	2 5/16" Adjustable Coupler Round (20,000 lb)
GAWR:	7,000 Lb (ea axle)	Axles:	2-7,000 Lb Cambered Dexter Spring 2 Elec. Brake
Scissor Lift	Scissor Lift	Bed Crossmembers	3" Channel (3.5 lbs/ft)
Bed Frame	2" x 6" Tubing	Jack:	2-10K Drop Leg Spring Return
Safety Chains:	18,800 Lb 5/16 x 36 G#70	Tires:	235/80 R16 LRE (w/ spare)
Wheels:	16" 8-Hole Sliver Mod	Tongue & Neck:	10" I-Beam (12 lbs/ft)
Flooring:	10 Ga. Smooth Plate	Tool Box:	Front Tool box
Suspension:	Multi-Leaf Spring	Crossmembers	4" Channel (4.5 lbs/ft)
Frame:	10" I-Beam (12 lbs/ft)	Lights:	D.O.T. Stop, Tail, Turn and Clearance
Product Line	Dump Trailers	Wire Harness:	16 Ga. 5-Way Double Insulated Harness w/7-way plug
Finishing Coat:	Sherwin-Williams Powdura Polyester TGIC Gloss Powder Coating	Finish (prep):	Mechanical and/or Chemical Pretreatment for Maximum Paint Adhesion
EWR Class	DUMP TRAILER	D-Rings:	3" Standard D-Rings
Hydraulic Cylinder:	5" x 21-1/2" x 2"	Hydraulic Power Units:	Double Acting Power Unit

Additional Options:

Tire Upgrades

- A05** ST235/80 R16 LRE 10 Ply.
- A06** ST235/85 R16 LRG 14 Ply.

Couplers

- C14** Gooseneck Coupler 2-5/16" Adjustable Rd.
- C15** Gooseneck Coupler 2-5/16" Adjustable Sq.

King Pin

- C50** King Pin Fifth-Wheel Adapter Adjustable Rd.
- C51** King Pin Fifth-Wheel Adapter Adjustable Sq.

Ramps

- H00** W/Out Ramps
- H05** Slide-IN Ramps 6' x 16" (dump)

Jacks

- J05** Jack Spring Loaded Drop Leg 2-10K

Lights

- L01** Lighting Regular
- L03** Lighting LED (optional)

D-Rings

- M03** 4 - D-Rings 3" Weld On
- M07** 6 - D-Rings 3" Weld On
- M08** 8 - D-Rings 3" Weld On
- M52** 4 - D-Rings 4" Weld On
- M53** 6 - D-Rings 4" Weld On
- M54** 8 - D-Rings 4" Weld On
- M04** D-Rings 4" Recessed 360 Rotational Bolt On (4 each)
- M05** D-Rings 4" Recessed 360 Rotational Bolt On (6 each)
- M06** D-Rings 4" Recessed 360 Rotational Bolt On (8 each)

Hydraulics

- V02** Scissor Hoist w/Standard Pump
- V03** Scissor Hoist w/3-Way Pump

Raised Necks

- N00** Standard Neck
- N01** Raised Neck & Coupler 6"
- N02** Raised Neck & Coupler 12"

Tool Box

- T02** Front Mount Tool Box
- T05** Front Tool Box Full Width Between Risers

Deck Over Neck

- DO1** Deck Over Neck 102" X 96"

Solar Panel Charger

- SC1** Solar Panel Charger

Wireless Remote Control

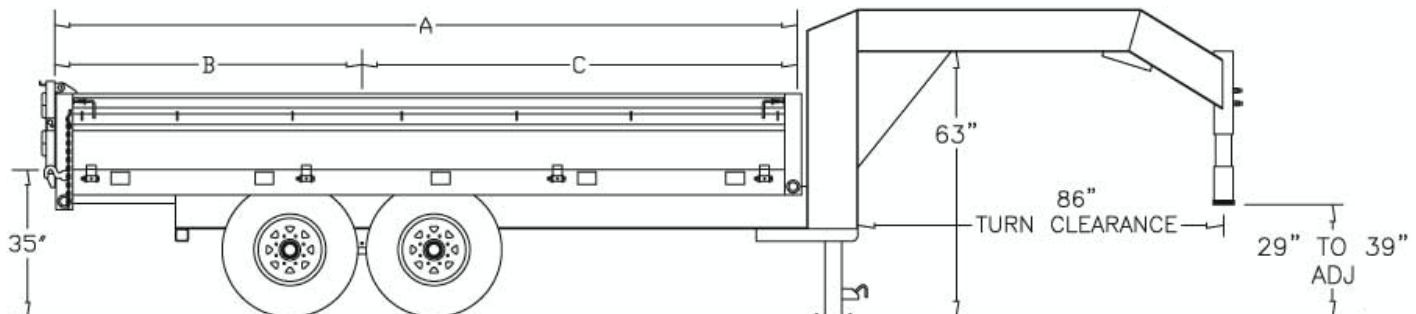
- RC1** Wireless Remote Double Acting Dump Control

Rear Support Jacks

- RS2** Rear Support Stands (Tube)

Road Service Program

- RSP** Road Service Program 903-783-3933 for Info.



CUBIC YARDS		
Length	Cu. Yd	Degrees
14'	6.22	0-40

DIMENSIONS			
Length	A	B	C
14'	168"	68"	100"