




Ben Hur Trailer Sales
 5330 Hamilton Middletown Road
 Hamilton, OH 45011 - UNITED STATES
 Phone: 513-896-9940
 Web: www.benhurtrailers.com



**SB03 stock photo. May be shown with optional equipment.

Part	Width
SB4808031	48" X 08' Single Axle
SB4810031	48" X 10' Single Axle
SB6008031	60" X 08' Single Axle
SB6010031	60" X 10' Single Axle
SB6010051	60" X 10' Single Axle
SB6012031	60" X 12' Single Axle
SB6014031	60" X 14' Single Axle
SB6016031	60" X 16' Single Axle
SB7710031	77" X 10' Single Axle
SB7710051	77" X 10' Single Axle
SB7712031	77" X 12' Single Axle
SB7712051	77" X 12' Single Axle
SB7714031	77" X 14' Single Axle
SB7716031	77" X 16' Single Axle
SB8310031	83" X 10' Single Axle
SB8312031	83" X 12' Single Axle
SB8312051	83" X 12' Single Axle
SB8314031	83" X 14' Single Axle
SB8314051	83" X 14' Single Axle
SB8316031	83" X 16' Single Axle



Includes industry best warranty and (free) roadside assistance program. Read more at www.loadtrail.com

Standard Specifications:			
Product Line	Single Axle & Single Axle Landscape	GVWR:	2,990 lb
GAWR:	3,500 Lb (ea axle)	Lights:	D.O.T. Stop, Tail, Turn and Clearance
Wire Harness:	16 Ga. 5-Way Double-Insulated w/4-way plug	Finish (prep):	Mechanical and/or Chemical Pretreatment for Maximum Paint Adhesion
Finishing Coat:	DTM Polyurethane Coating System	Product Series:	SB03
Couplers:	2" A-Frame 7,000 Lb	Safety Chains:	1/4" Grd. 30 w/Safety Latch Hook (2 ea)
Jack:	5,000 Lb Top Wind Swivel Jack	Axles:	1-3.500 Lb Cambered Dexter Spring Idler
Wheels:	15" 5-Hole White Spoke	Tires:	205/75 D15 LRC
Suspension:	Multi-Leaf Spring	Tongue & Neck:	4" Channel (4.5 lbs/ft)
Frame:	4" Channel (4.5 lbs/ft)	Side Rails:	Removable
Up Rights:	2" x 2" x 1/8" Tubing	Crossmembers	2" x 2" x 3/16 Angle Iron (2.44 lbs/ft)
Flooring:	Treated Wood	Fenders:	Removable Smooth Plate
Top Rail:	2" x 2" x 1/8" Angle Iron	EWR Class	SINGLE AXLE UTILITY
GVWR:	2,990 lb	Side Rails:	Removable
Product Series:	SB03	Couplers:	2" A-Frame 7,000 Lb
GAWR:	3,500 Lb (ea axle)	Axles:	1-3.500 Lb Cambered Dexter Spring Idler
Jack:	5,000 Lb Top Wind Swivel Jack	Safety Chains:	1/4" Grd. 30 w/Safety Latch Hook (2 ea)

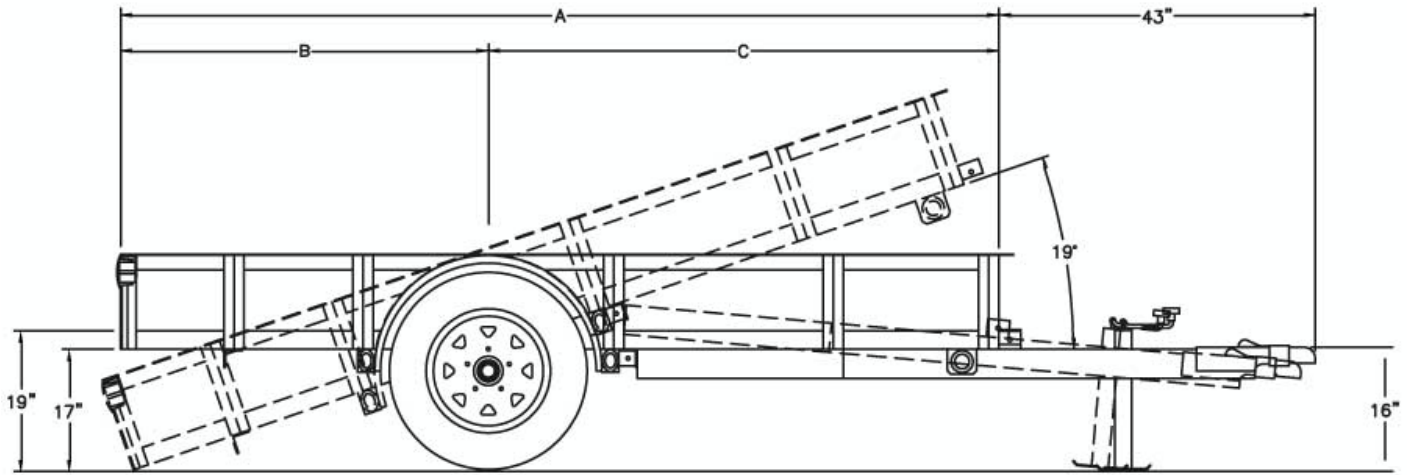
Tires:	205/75 D15 LRC	Wheels:	15" 5-Hole White Spoke
Flooring:	Treated Wood	Tongue & Neck:	4" Channel (4.5 lbs/ft)
Up Rights:	2" x 2" x 1/8" Tubing	Suspension:	Multi-Leaf Spring
Fenders:	Removable Smooth Plate	Crossmembers	2" x 2" x 3/16 Angle Iron (2.44 lbs/ft)
Frame:	4" Channel (4.5 lbs/ft)	Top Rail:	2" x 2" x 1/8" Angle Iron
Lights:	D.O.T. Stop, Tail, Turn and Clearance	Product Line	Single Axle & Single Axle Landscape
Wire Harness:	16 Ga. 5-Way Double-Insulated w/4-way plug	Finishing Coat:	DTM Polyurethane Coating System
Finish (prep):	Mechanical and/or Chemical Pretreatment for Maximum Paint Adhesion	EWR Class	SINGLE AXLE UTILITY

Axle Options:

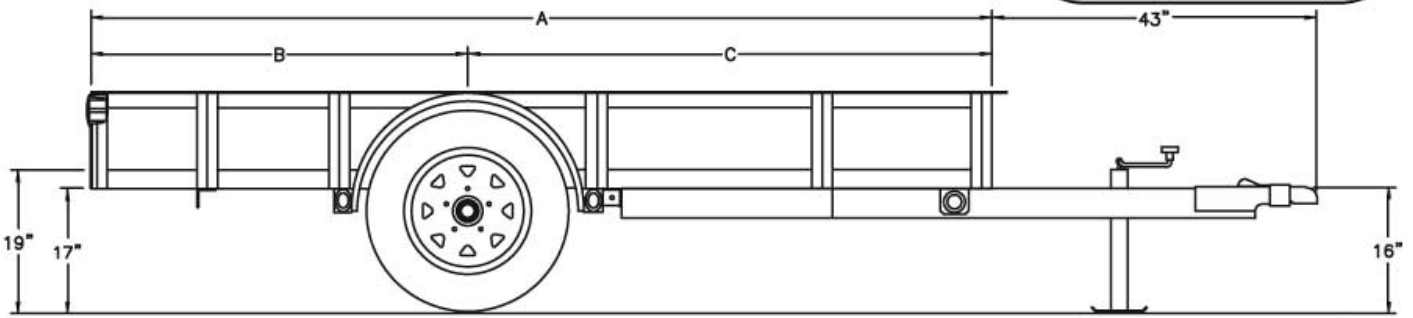
Code	Axle	Price
ISO	1 - 3,500 Lb Dexter Spring Idler Axle	\$0.00
ES1	1 - 3,500 Lb Dexter Spring Axle (1 Elec Brake)	\$140.00
HS1	1 - 3,500 Lb Dexter Spring Axle (1 Hyd Drum Brake)	\$273.33

Color Options:

Code	Color	Price
CB2	Black	\$0.00
CG3	Grey	\$53.33
CW4	White	\$53.33
CR5	Red	\$53.33
CB6	Blue	\$53.33
CG7	Green	\$53.33
CY8	Yellow	\$53.33
C09	Orange	\$53.33



TILT DIMENSIONS			
Length	A	B	C
8'	96"	48"	48"
10'	120"	60"	60"
12'	144"	72"	72"
14'	168"	84"	84"
16'	192"	96"	96"



DIMENSIONS			
Length	A	B	C
8'	96"	39"	57"
10'	120"	50"	70"
12'	144"	62"	82"
14'	168"	67"	101"
16'	192"	77"	115"

Additional Options:**Tire Upgrades**

A02	ST205/75 R15 LRD 8 Ply.	\$0.00
A04	ST225/75 R15 LRD 8 Ply.	\$106.67
A01	ST205/75 D15 LRC 6 Ply.	\$0.00
A03	ST225/75 D15 LRD 8 Ply.	\$48.00

Couplers

C01	Coupler 2" A-Frame Cast	\$0.00
C03	Coupler 2" A-Frame Cast Hyd.	\$0.00
C04	Coupler 2" Adjustable 4 Hole	\$33.33
C07	Coupler 2-5/16" Adjustable 4 Hole	\$60.00
C11	Pintle Ring 3" Adjustable 4 Hole	\$53.33

Dove Tail & Floors

E02	Treated Wood Floor	\$0.00
E03	Steel Floor DP	\$273.33
E05	Rough Oak Floor	\$170.67
E06	No Floor On Deck	(\$82.67)

D-Rings

M02	D-Rings 3" Weld On (2 additional)	\$40.00
M03	D-Rings 3" Weld On (4 additional)	\$80.00
M04	D-Rings 4" Recessed 360 Rotational Bolt On (4 each)	\$106.67
M05	D-Rings 4" Recessed 360 Rotational Bolt On (6 each)	\$160.00
M06	D-Rings 4" Recessed 360 Rotational Bolt On (8 each)	\$213.33

Fenders

F02	Smooth Plate Round Fenders (removable)	\$0.00
F01	Smooth Plate Round Fenders (weld-on)	\$0.00
F05	Diamond Plate Fenders (weld-on)	\$40.00
F06	Diamond Plate Fenders (removable)	\$40.00
F07	Diamond Plate Alum. Round Fenders (removable)	\$80.00

Tilt Tongue

GA0	Standard Deck (non tilt)	\$0.00
GA1	Tilt Deck	\$60.00

Rear Gates

G01	Standard w/Rear Board Slides	\$0.00
G02	Rear Tail Gate Exp. Metal (even with sides)	\$93.33
G03	3' Fold Gate Tubing w/Exp. Metal	\$153.33
G04	4' Fold Gate Tubing w/Exp. Metal	\$186.67
G05	4' Split Fold Gate Tubing w/Exp. Metal on 60" and wider	\$226.67
G14	4' Fold In Gate Tubing w/Exp. Metal	\$220.00

Cross Members

I01	16" Cross-Members	\$53.33
------------	-------------------	---------

Lights

L01	Lighting Regular	\$0.00
L03	Lighting LED (optional)	\$53.33

Side Rail Options

P05	Angle Iron Side Rails (removable)	\$0.00
P06	Pipe Top Side Rails (removable)	\$48.00
P07	Sq. Tube Side Rails (removable)	\$32.00
P02	Angle Iron Side Rails (weld on)	\$0.00
P03	Pipe Top Side Rails (weld on)	\$48.00
P04	Sq. Tube Side Rails (weld on)	\$32.00
Q01	Angle Iron Side Rails (removable) w/Exp. Metal Sides 13"	\$48.00
P06Q01	Pipe Top Side Rails (removable) w/Exp. Metal Sides 13"	\$96.00
P07Q01	Sq. Tube Side Rails (removable) w/Exp. Metal Sides 13"	\$80.00
R01	Angle Iron Side Rails (removable) w/Solid Metal On Sides 13"	\$69.33
P06R01	Pipe Top Side Rails (removable) w/Solid Metal On Sides 13"	\$117.33
P07R01	Sq. Tube Side Rails (removable) w/Solid Metal On Sides 13"	\$101.33
GF1	Angle Iron Side Rails (removable) w/Front Fold Gate	\$146.67

Tool Box

T01	Front Tongue Mount Tool Box	\$166.67
------------	-----------------------------	----------

Winch

W01	Winch Plate	\$40.00
W10	15000lb. Winch PKG(Std Plate,Batt, Charger,Mounting Hdw)	\$3,093.33

Rear Support Jacks

RS1	Rear Support Stands (2 - 5,000 Lb Swivel Jacks)	\$120.00
------------	---	----------

Spring Assist (on gates)

SA1	Spring Assist on Fold Gates	\$40.00
------------	-----------------------------	---------

Spare Tires

STC	Spare Tire ST205/75 R15 LRD 8 Ply. 5-Hole White Spoke	\$100.00
STE	Spare Tire ST225/75 R15 LRD 8 Ply. 5-Hole White Spoke	\$106.67
STB	Spare Tire ST205/75 D15 LRC 6 Ply. 5-Hole White Spoke	\$80.00
STD	Spare Tire ST225/75 D15 LRD 8 Ply. 5-Hole White Spoke	\$92.00

Stake Pockets

SP1	4 - Additional Stake Pockets	\$13.33
------------	------------------------------	---------

Spare Tire Mount (universal)

TM1	Spare Tire Mount	\$33.33
------------	------------------	---------

Zinc Primer

ZP1	Zinc Primer	\$253.33
------------	-------------	----------

Road Service Program

RSP	Road Service Program 903-783-3933 for Info.	\$0.00
------------	---	--------