


**Ben Hur Trailer Sales**  
5330 Hamilton Middletown Road  
Hamilton, OH 45011 - UNITED STATES  
Phone: 513-896-9940  
Web: www.benhurtrailers.com



\*\*TT10 stock photo. May be shown with optional equipment.

Part	Width
TT0216052	102" X 16' Tandem Axle Tilt Deck w/Power
TT0218052	102" X 18' Tandem Axle Tilt Deck w/Power
TT0220052	102" X 20' Tandem Axle Tilt Deck w/Power
TT0222052	102" X 22' Tandem Axle Tilt Deck w/Power
TT0224052	102" X 24' Tandem Axle Tilt Deck w/Power
TT8116052	81.5" X 16' Tandem Axle Tilt Deck w/Power
TT8118052	81.5" X 18' Tandem Axle Tilt Deck w/Power
TT8120052	81.5" X 20' Tandem Axle Tilt Deck w/Power
TT8122052	81.5" X 22' Tandem Axle Tilt Deck w/Power
TT8124052	81.5" X 24' Tandem Axle Tilt Deck w/Power



**Includes industry best warranty and (free) roadside assistance program. Read more at [www.loadtrail.com](http://www.loadtrail.com)**

### Standard Specifications:

<b>Product Line</b>	Tilt Decks	<b>Product Series:</b>	TT10
<b>GVWR:</b>	9,990 lb	<b>GAWR:</b>	5,200 Lb (ea axle)
<b>Couplers:</b>	2-5/16" Adjustable	<b>Safety Chains:</b>	12,600 Lb 1/4 x 28 G#70
<b>Jack:</b>	1-10K Drop Leg Spring Return	<b>Axles:</b>	2-5,200 Lb Cambered Dexter Torsion UP 2 Elec Brake
<b>Wheels:</b>	15" 6-Hole White Spoke	<b>Tires:</b>	225/75 D15 LRD
<b>Tongue &amp; Neck:</b>	6" Channel (8.2 lbs/ft)	<b>Frame:</b>	6" Channel (8.2 lbs/ft)
<b>Up Rights:</b>	2" x 2" x 3/16" Angle Iron	<b>Crossmembers</b>	3" Channel (3.5 lbs/ft)
<b>Flooring:</b>	Treated Wood	<b>Fenders:</b>	Weld On Diamond Plate
<b>Top Rail:</b>	2" x 2" x 1/8" Tubing	<b>Lights:</b>	D.O.T. Stop, Tail, Turn and Clearance
<b>Wire Harness:</b>	16 Ga. 5-Way Double Insulated Harness w/7-way plug	<b>Hydraulic Cylinder:</b>	3" x 10 w/1.25" Shaft
<b>Finishing Coat:</b>	DTM Polyurethane Coating System	<b>Finish (prep):</b>	Mechanical and/or Chemical Pretreatment for Maximum Paint Adhesion
<b>Suspension:</b>	Torsion Axle	<b>Tool Box:</b>	Front Tongue Mount
<b>Hydraulic Power Units:</b>	Double Acting Power Unit	<b>D-Rings:</b>	3" Standard D-Rings
<b>EWR Class</b>	TILT DECK	<b>GVWR:</b>	9,990 lb
<b>Product Series:</b>	TT10	<b>Couplers:</b>	2-5/16" Adjustable
<b>GAWR:</b>	5,200 Lb (ea axle)	<b>Axles:</b>	2-5,200 Lb Cambered Dexter Torsion UP 2 Elec Brake
<b>Jack:</b>	1-10K Drop Leg Spring Return	<b>Safety Chains:</b>	12,600 Lb 1/4 x 28 G#70
<b>Tires:</b>	225/75 D15 LRD	<b>Wheels:</b>	15" 6-Hole White Spoke
<b>Flooring:</b>	Treated Wood	<b>Tool Box:</b>	Front Tongue Mount
<b>Tongue &amp; Neck:</b>	6" Channel (8.2 lbs/ft)	<b>Up Rights:</b>	2" x 2" x 3/16" Angle Iron
<b>Suspension:</b>	Torsion Axle	<b>Fenders:</b>	Weld On Diamond Plate
<b>Crossmembers</b>	3" Channel (3.5 lbs/ft)	<b>Frame:</b>	6" Channel (8.2 lbs/ft)
<b>Top Rail:</b>	2" x 2" x 1/8" Tubing	<b>Lights:</b>	D.O.T. Stop, Tail, Turn and Clearance
<b>Product Line</b>	Tilt Decks	<b>Wire Harness:</b>	16 Ga. 5-Way Double Insulated Harness w/7-way plug
<b>Finishing Coat:</b>	DTM Polyurethane Coating System	<b>Finish (prep):</b>	Mechanical and/or Chemical Pretreatment for Maximum Paint Adhesion
<b>D-Rings:</b>	3" Standard D-Rings	<b>Hydraulic Cylinder:</b>	3" x 10 w/1.25" Shaft
<b>EWR Class</b>	TILT DECK	<b>Hydraulic Power Units:</b>	Double Acting Power Unit

## Additional Options:

### Tire Upgrades

- A04** ST225/75 R15 LRD 8 Ply.
- A05** ST235/80 R16 LRE 10 Ply.
- A03** ST225/75 D15 LRD 8 Ply.

### Couplers

- C07** Coupler 2-5/16" Adjustable 6 Hole
- C08** Coupler 2-5/16" Adjustable Hyd.
- C11** Pintle Ring 3" Adjustable 6 Hole

### Floors

- E02** Treated Wood Floor
- E03** Steel Floor DP
- E05** Rough Oak Floor
- E06** No Floor On Deck

### Fenders

- F05** Diamond Plate Fenders (weld-on)
- F09** Drive-Over Fenders 10" (weld-on)

### Cross Members

- I02** 12" Cross-Members

### Jacks

- J04** Jack Spring Loaded Drop Leg 1-10K
- J05** Jack Spring Loaded Drop Leg 2-10K

### Floors/Stationary Decks

- K00** Full Tilt Deck Full Tilt Deck
- K02** 2' Stationary Deck carhauler Tilt
- K04** 4' Stationary Deck carhauler Tilt

### Lights

- L01** Lighting Regular
- L03** Lighting LED (optional)

### D-Rings

- M02** D-Rings 3" Weld On (2 additional)
- M03** D-Rings 3" Weld On (4 additional)
- M07** D-Rings 3" Weld On (6 additional)
- M04** D-Rings 4" Recessed 360 Rotational Bolt On (4 each )
- M05** D-Rings 4" Recessed 360 Rotational Bolt On (6 each )
- M06** D-Rings 4" Recessed 360 Rotational Bolt On (8 each )

### Winch

- W01** Winch Plate
- W10** 15000lb. Winch PKG(Std Plate,Batt, Charger,Mounting Hdw)

### Rub Rails

- RR1** Rub Rail

### Solar Panel Charger

- SC1** Solar Panel Charger

### Wireless Remote Control

- RC1** Wireless Remote Double Acting Dump Control

### Spare Tires

- STG** Spare Tire ST225/80 R15 LRD 8 Ply. 6 Hole White Spoke
- STH** Spare Tire ST235/80 R16 LRE 10 Ply. 6 Hole White Spoke
- STF** Spare Tire ST225/80 D15 LRD 8 Ply. 6 Hole White Spoke

### Stake Pockets

- SP1** 4 - Additional Stake Pockets

### Spare Tire Mount (universal)

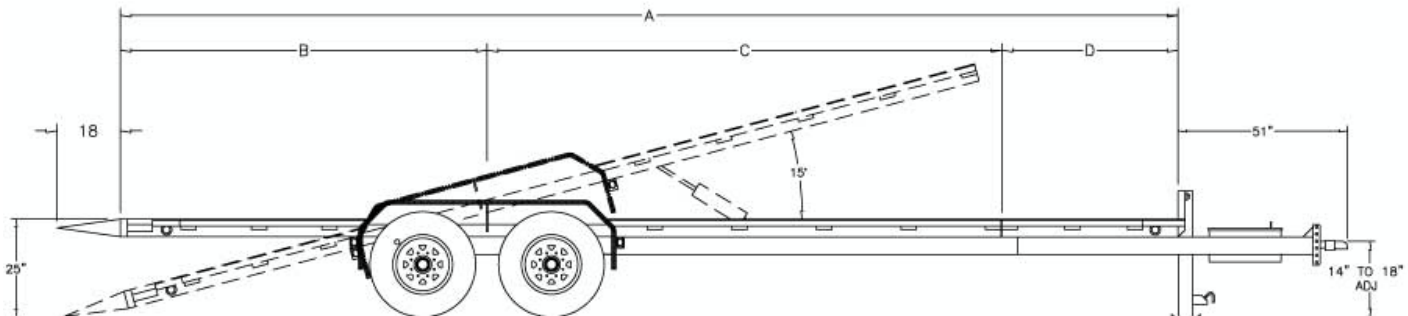
- TM1** Spare Tire Mount

### Zinc Primer

- ZP1** Zinc Primer

### Road Service Program

- RSP** Road Service Program 903-783-3933 for Info.



DIMENSIONS				
(Power Up & Power Down Tilts)				
Length	A	B	C	D
16'	192"	94"	98"	0"
18'	216"	86"	106"	0"
20'	240"	90"	102"	0"
22'	264"	95"	109"	60"
24'	288"	103"	89"	96"